

Outdoor / Umbrellas / Wall-mounted



## Wall-mounted

The perfect shade solution for  
a smaller inner-city section.

**Weathermaster**

# WMU3

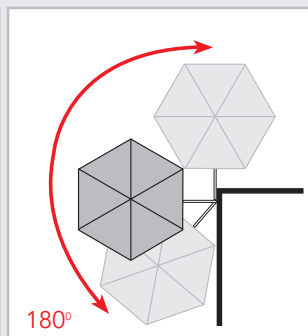
## Wall Mounted Umbrella



### UNIQUE FEATURES - WMU3

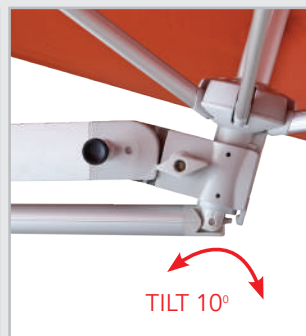


Telescopic arm



180°

Swings horizontally



TILT 10°

Tilt function

- Manufactured from top quality anodised aluminium, stainless steel and other non-corrosive materials
- Patented 'Easy Opening System'
- Telescopic Arm – 1.40m out to 1.80m
- Umbrella can swing horizontally
- Umbrella can tilt 10°

# WMU3

## Wall Mounted Umbrella

### FABRIC - WMU3

**Premium Olefin 'COSLAN':**  
100% solution dyed

**Weight :** 190 g/m<sup>2</sup>  
**Colourfastness:** 6-7/8  
**Shade Rating:** UPF 40+

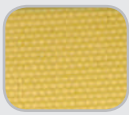
**Water repellent**  
**Maintenance:** All fabrics can be washed and replaced

### COLOURS - WMU3

Please note - actual colours may vary slightly from examples printed in catalogue



WHITE SAND



BUTTERCUP



TERRACOTTA



TAUPE



BLACK WIDOW



PLATINUM  
GREY

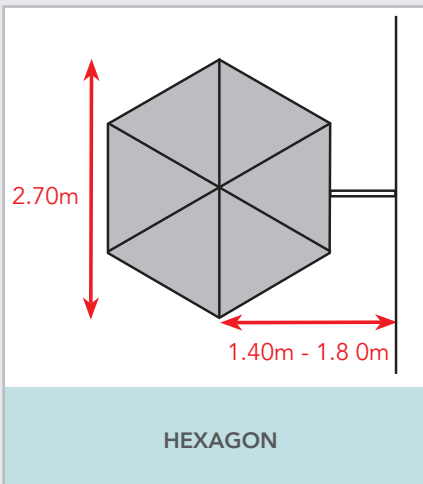


CHARCOAL



DENIM BLUE

### SIZE - WMU3

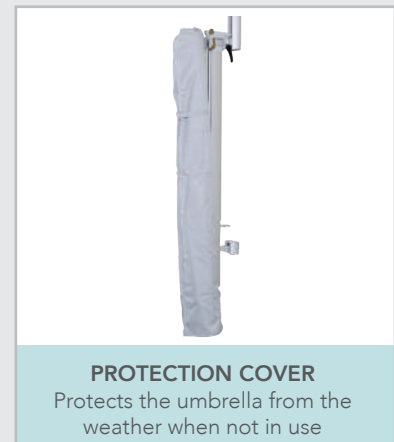


### ACCESSORIES - WMU3

STANDARD



STANDARD



### PRODUCT VIDEO - WMU3



To view the WMU3 in operation scan this QR code on your smartphone or go to [www.shadowspec.co.nz](http://www.shadowspec.co.nz)

### WARRANTIES\* - WMU3



\*Using only the highest quality components, all WEATHERMASTER® products carry comprehensive guarantees for a period of 2 years from date of purchase

